

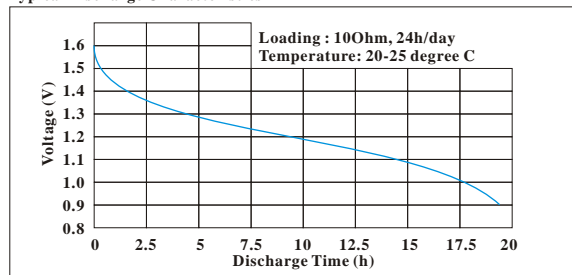
ALKALINE BATTERY

SPECIFICATIONS

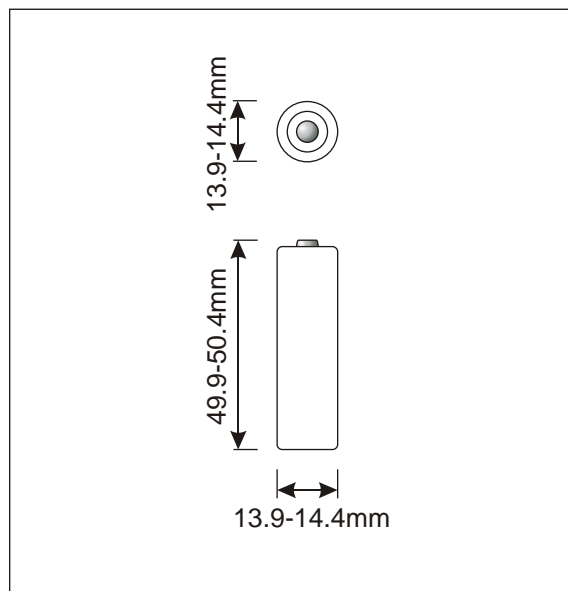
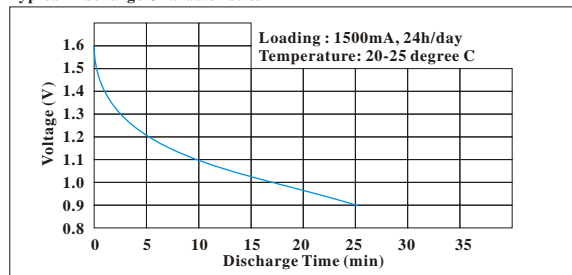
Model	:	LR6G(HP)
Description	:	' GB CELL ' High Power Alkaline Battery, 'AA' Size
Heavy Metal Content	:	Comply to 98/101/EEC Mercury (Hg) < 1ppm Cadmium (Cd) < 3ppm Lead (Pb) < 30ppm
Standard	:	IEC 86
Nominal Capacity	:	2600 mAh (at 75Ohm loading to 0.8V at room temperature)
Nominal Voltage	:	1.5 Volt (Typ. 1.55-1.60V)
Cut-Off Voltage	:	0.9 Volt
Weight	:	23 gram
Shelf Life	:	5 years after production(Storage: 20-25degreeC, RH 45-75%)
Service Life	:	Over 12 hrs (Typ. 19.4 hrs) at 10 Ohm loading, 24h/d to 0.9V Over 550 cycles (Typ. 680 cycles) at 1.8 Ohm loading, 15s/min, to 0.9V Over 18 min (Typ. 25 min) at 1500mA discharge, 24h/d to 0.9V
Leakage	:	No visible leakage at 10 Ohm loading for 48h, 20-25degreeC, RH 45-75%. Sample size : 10pcs No visible leakage after store 20 days under 60 degreeC, RH 85-95%. Sample size : 60pcs
Security	:	No explosion at short circuit for 24h, 20-25 degreeC, RH 45-75%. Sample size : 10pcs No explosion for recharge 24h at 80mA, 20-25 degreeC, RH 45-75%. Sample size : 10pcs

DISCHARGE CHARACTERISTICS

Typical Discharge Characteristics



Typical Discharge Characteristics



Information is for references only.

Model : LR6G(HP)
Version : 2.1

GB CELL

BCA01-1