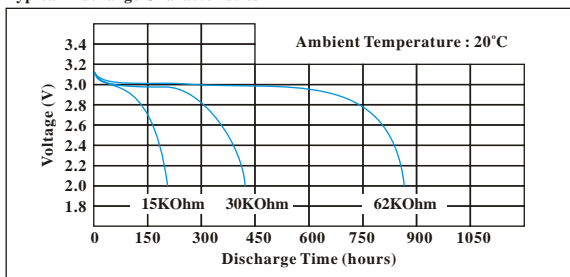


LITHIUM BATTERY

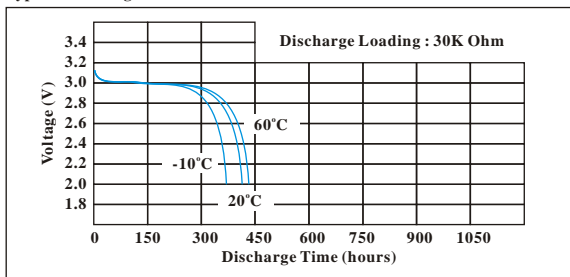
SPECIFICATIONS

Model	:	CR1220
Description	:	Lithium Coin Cell (LiMnO ₂), Mercury Free
Nominal Capacity	:	38mAh at 30K Ohm continuous discharge
Nominal Voltage	:	3.0 V
Cut-Off Voltage	:	2.0 V
Weight	:	0.9 g
Self-Life	:	1 year ex-factory
Recommended Drain	:	Pulse - 5mA Standard - 0.1mA Low - 0.002mA
Service Life	:	420 hrs at 30K Ohm continuous discharge 870 hrs at 62K Ohm continuous discharge
Application	:	Memory Backup, Electronic Watches, Calculators, Cameras, Electronic Translators, Low Power Cordless Application

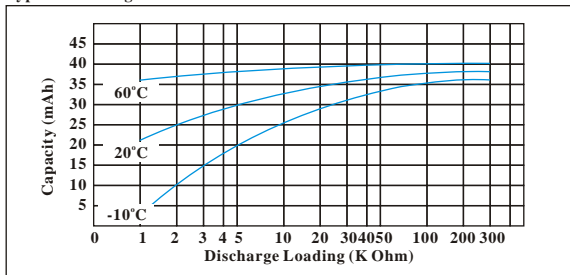
Typical Discharge Characteristics



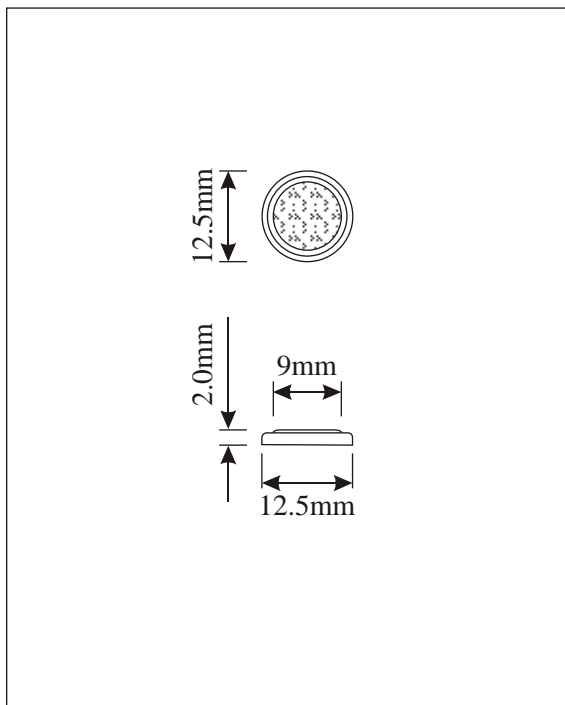
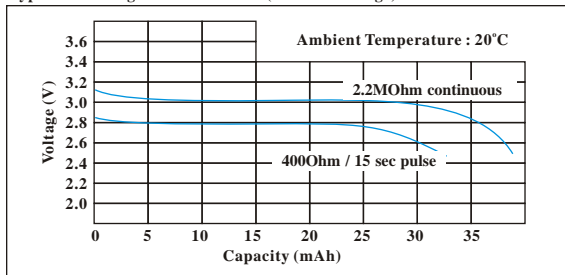
Typical Discharge Characteristics



Typical Discharge Characteristics



Typical Discharge Characteristics (Pulse Discharge)



Information is for references only.

Model : CR1220
Version : 2.1

GB CELL

EBB01