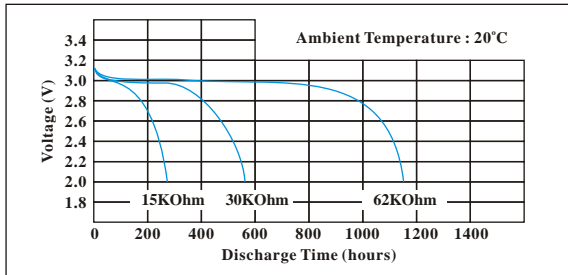


MEMORY BACKUP BATTERY - LITHIUM

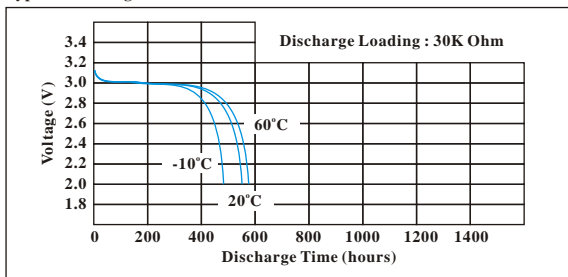
SPECIFICATIONS

Model	:	CR1225-1VU
Description	:	Lithium Coin Cell (LiMnO ₂), Mercury Free
Normal Capacity	:	50mAh at 30K Ohm continuous discharge
Nominal Voltage	:	3.0 V
Cut-Off Voltage	:	2.0 V
Weight	:	1.3 g
Self-Life	:	1 year ex-factory
Recommended Drain	:	Pulse - 5mA Standard - 0.1mA Low - 0.002mA
Service Life	:	550 hrs at 30K Ohm continuous discharge 1140 hrs at 62K Ohm continuous discharge
Application	:	Memory Backup, Electronic Watches, Calculators, Cameras, Electronic Translators, Low Power Cordless Application

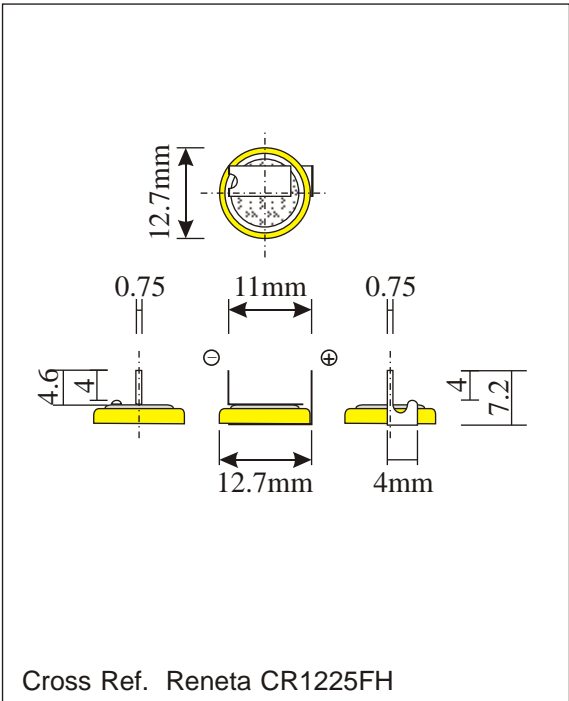
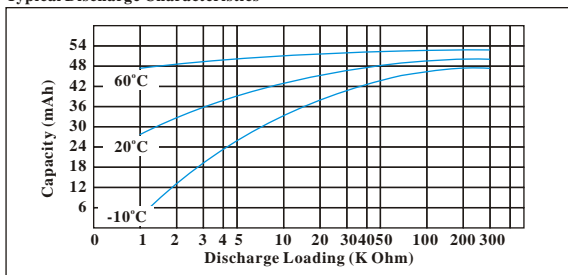
Typical Discharge Characteristics



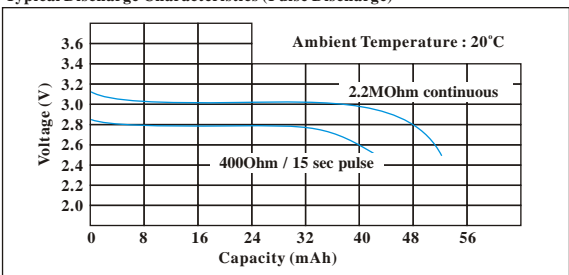
Typical Discharge Characteristics



Typical Discharge Characteristics



Typical Discharge Characteristics (Pulse Discharge)



Information is for references only.

Model : CR1225-1VU
Version : 1.0

GB CELL

MBC02