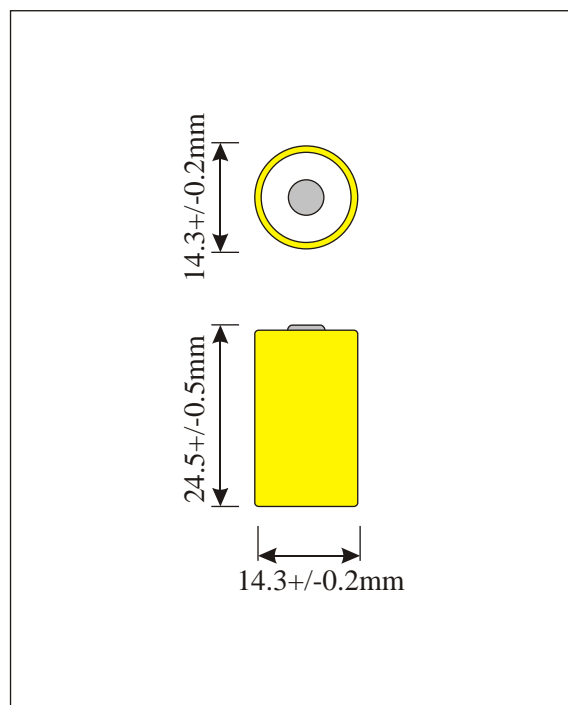
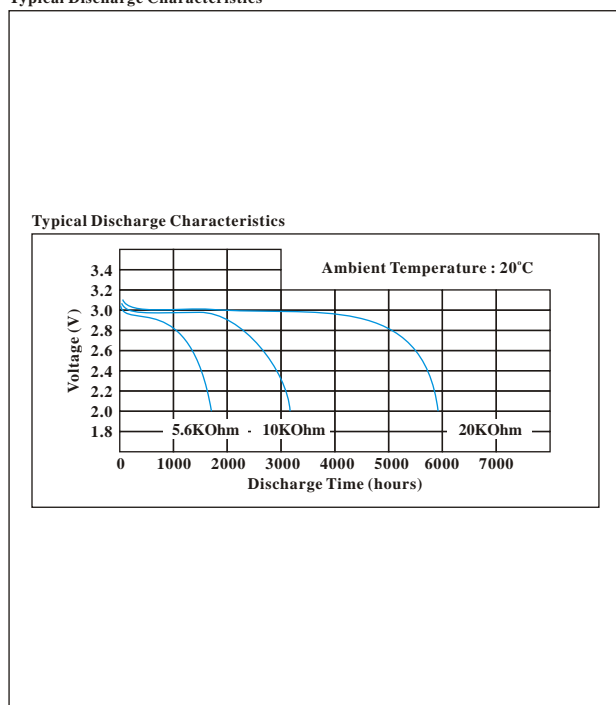


LITHIUM MANGANESE DIOXIDE BATTERY

SPECIFICATIONS

Model	:	CR14250SE
Description	:	Manganese Dioxide Lithium Battery (LiMnO ₂)
Norminal Capacity	:	850mAh
Nominal Voltage	:	3.0 V
Cut-Off Voltage	:	2.0 V
Weight	:	11 g
Shelf-Life	:	8 yeasr ex-factory
Recommended Drain	:	Standard : 1mA Continuous < 7mA Pulse < 70mA
Operating Temperature Range	:	-40 to +60 degree C
Service Life	:	1700hrs at 0.5mA continuous discharge 3100hrs at 0.3mA continuous discharge 5900 hrs at 0.15mA continuous discharge
Warning	:	Do not short circuit. Do not recharge. Do not overdischarge. Do not disassemble. Do not put on fire. Do not inverse polarity. Do not mix new and old battery. Do not mix with different battery

Typical Discharge Characteristics



Information is for references only.

Model : CR14250SE
Version : 2.1

GB CELL

ESC01