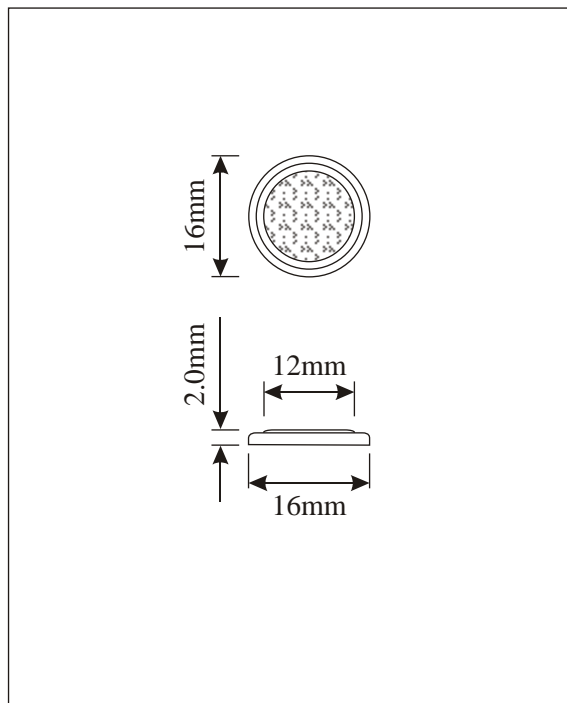
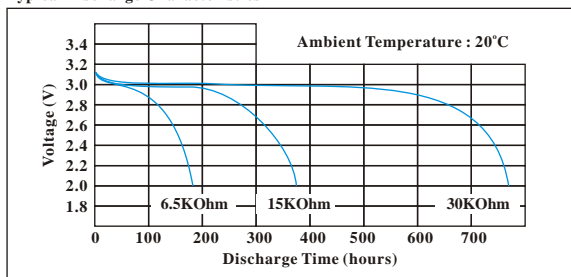


# LITHIUM BATTERY

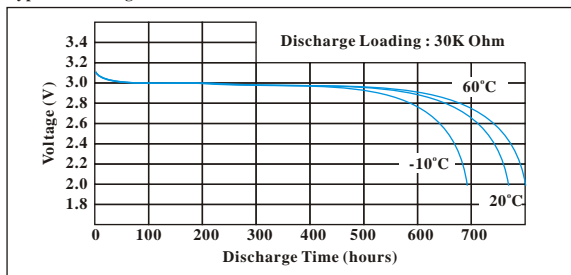
## SPECIFICATIONS

Model	:	CR1620
Description	:	Lithium Coin Cell (LiMnO <sub>2</sub> ), Mercury Free
Nominal Capacity	:	70mAh at 30K Ohm continuous discharge
Nominal Voltage	:	3.0 V
Cut-Off Voltage	:	2.0 V
Weight	:	1.3 g
Self-Life	:	1 year ex-factory
Recommended Drain	:	Pulse - 8mA Standard - 0.1mA Low - 0.002mA
Service Life	:	385 hrs at 15K Ohm continuous discharge 770 hrs at 30K Ohm continuous discharge
Application	:	Memory Backup, Electronic Watches, Calculators, Cameras, Electronic Translators, Low Power Cordless Application

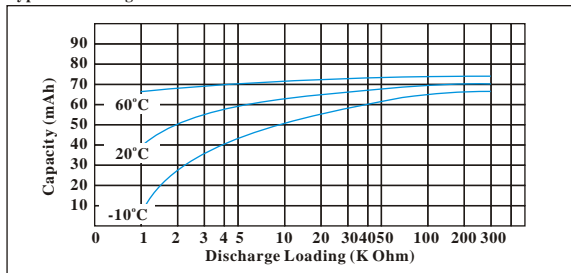
Typical Discharge Characteristics



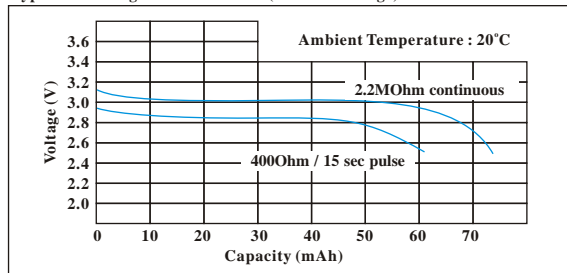
Typical Discharge Characteristics



Typical Discharge Characteristics



Typical Discharge Characteristics (Pulse Discharge)



Information is for references only.

Model : CR1620  
Version : 2.1

**GB CELL**

**ECB01**