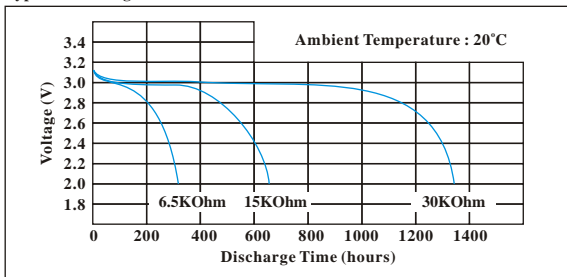


LITHIUM BATTERY

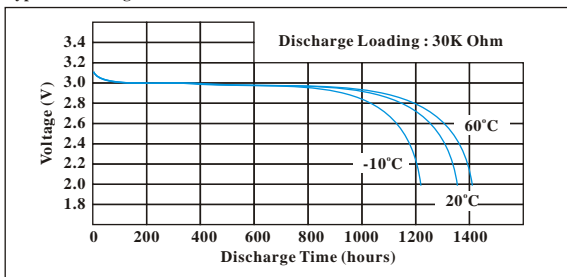
SPECIFICATIONS

Model	:	CR1632
Description	:	Lithium Coin Cell (LiMnO ₂), Mercury Free
Nominal Capacity	:	120mAh at 30K Ohm continuous discharge
Nominal Voltage	:	3.0 V
Cut-Off Voltage	:	2.0 V
Weight	:	2.3 g
Self-Life	:	1 year ex-factory
Recommended Drain	:	Pulse - 10mA Standard - 0.1mA Low - 0.002mA
Service Life	:	675 hrs at 15K Ohm continuous discharge 1350 hrs at 30K Ohm continuous discharge
Application	:	Memory Backup, Electronic Watches, Calculators, Cameras, Electronic Translators, Low Power Cordless Application

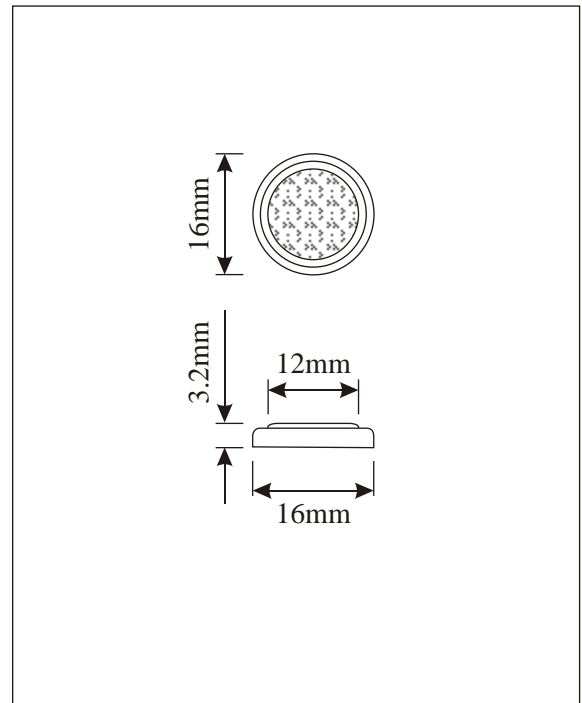
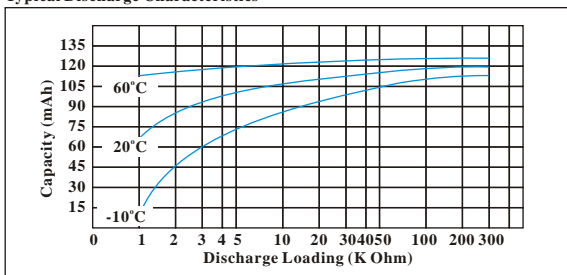
Typical Discharge Characteristics



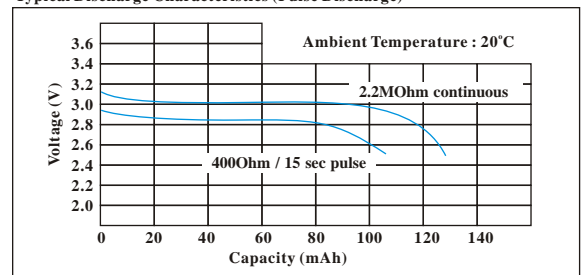
Typical Discharge Characteristics



Typical Discharge Characteristics



Typical Discharge Characteristics (Pulse Discharge)



Information is for references only.

Model : CR1632
Version : 2.1

GB CELL

ECC01