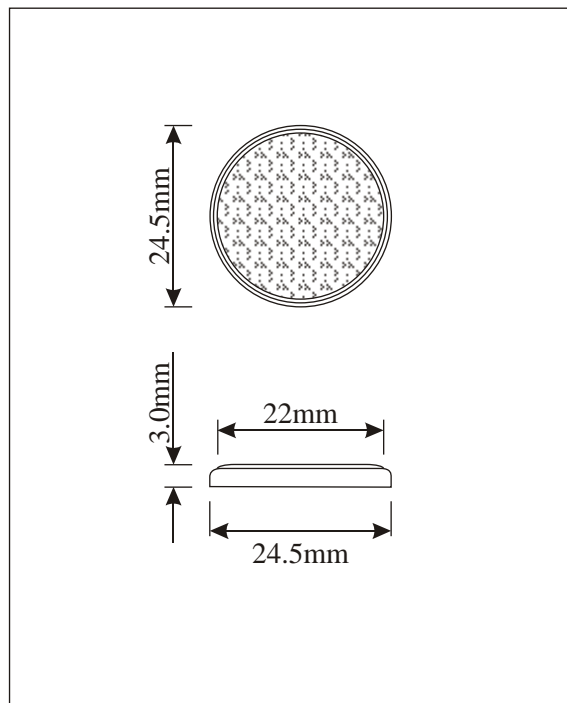
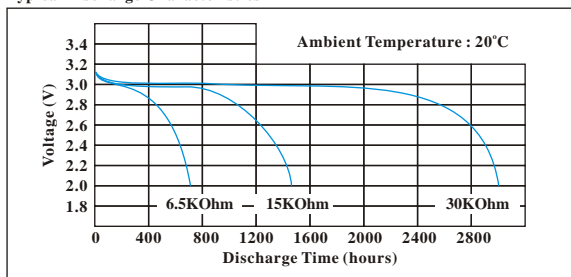


LITHIUM BATTERY

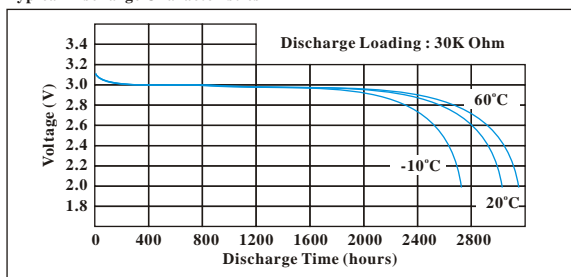
SPECIFICATIONS

Model	:	CR2430
Description	:	Lithium Coin Cell (LiMnO ₂), Mercury Free
Nominal Capacity	:	270mAh at 30K Ohm continuous discharge
Nominal Voltage	:	3.0 V
Cut-Off Voltage	:	2.0 V
Weight	:	4.2 g
Self-Life	:	1 year ex-factory
Recommended Drain	:	Pulse - 15mA Standard - 0.5mA Low - 0.004mA
Service Life	:	1510 hrs at 15K Ohm continuous discharge 3020 hrs at 30K Ohm continuous discharge
Application	:	Memory Backup, Electronic Watches, Calculators, Cameras, Electronic Translators, Low Power Cordless Application

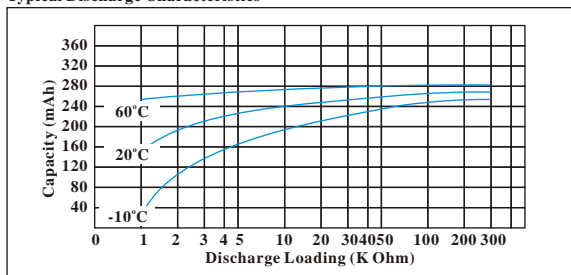
Typical Discharge Characteristics



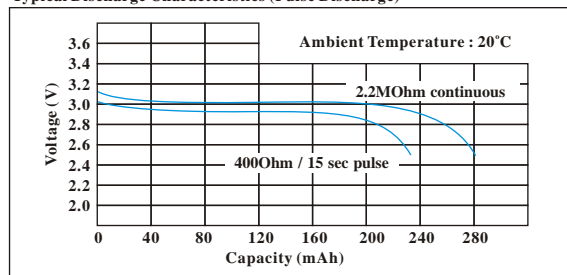
Typical Discharge Characteristics



Typical Discharge Characteristics



Typical Discharge Characteristics (Pulse Discharge)



Information is for references only

Model : CR2430
Version : 2.1

GB CELL

EFA01