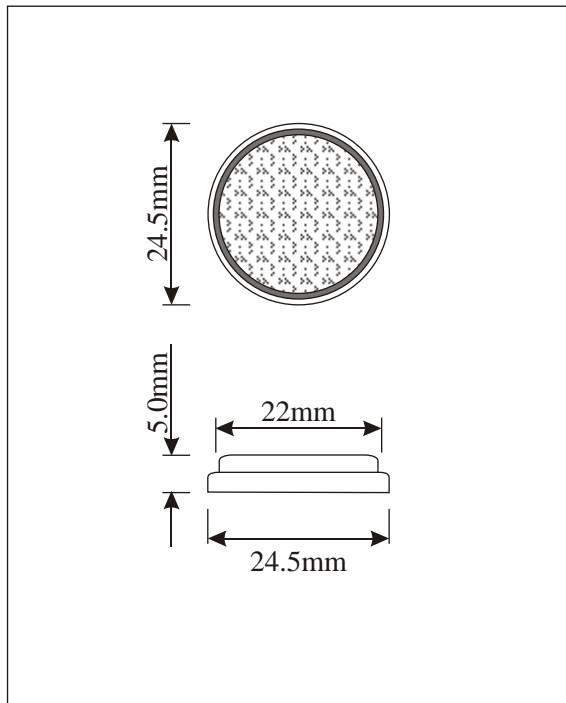
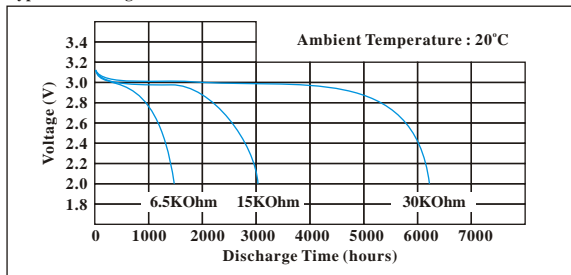


LITHIUM BATTERY

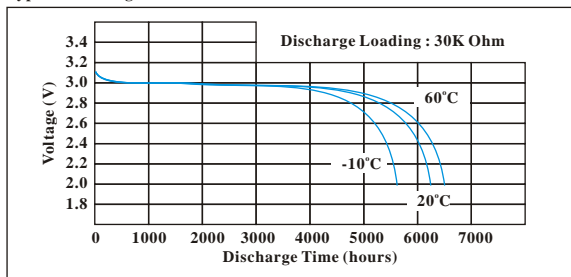
SPECIFICATIONS

Model	:	CR2450
Description	:	Lithium Coin Cell (LiMnO ₂), Mercury Free
Nominal Capacity	:	550mAh at 30K Ohm continuous discharge
Nominal Voltage	:	3.0 V
Cut-Off Voltage	:	2.0 V
Weight	:	6.7 g
Self-Life	:	3 years ex-factory
Recommended Drain	:	Pulse - 15mA Standard - 0.5mA Low - 0.004mA
Service Life	:	3050 hrs at 15K Ohm continuous discharge 6150 hrs at 30K Ohm continuous discharge
Application	:	Memory Backup, Electronic Watches, Calculators, Cameras, Electronic Translators, Low Power Cordless Application

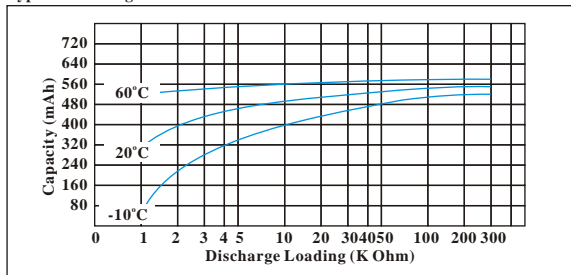
Typical Discharge Characteristics



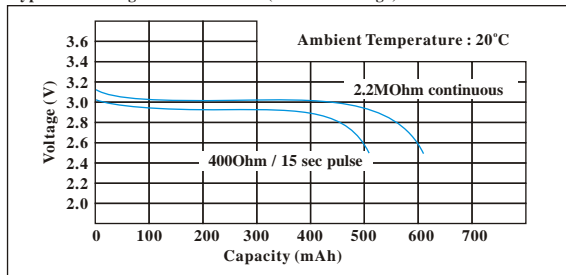
Typical Discharge Characteristics



Typical Discharge Characteristics



Typical Discharge Characteristics (Pulse Discharge)



Information is for references only

Model : CR2450
Version : 2.1

GB CELL

EFB01